

PRODUCT DATASHEET

PANAN Speaker White

PANAN Speaker | Mobile table luminaires with integrated bluetooth speaker



AREAS OF APPLICATION

- Where light is required but a socket is not available
- Whenever a cableless solution is preferred
- When flexible lighting is required
- Living areas
- Tables, Desks

PRODUCT BENEFITS

- Mobile table luminaire combining light and a Bluetooth speaker
- Can be wirelessly connected to Bluetooth capable devices to play musik
- Can easily be moved to where light is needed thanks to battery operation
- Switching and stepless dimming via a touch sensitive sensor on the luminaire base
- Bendable luminaire neck for free orientation of light source

PRODUCT FEATURES

- Integrated rechargeable lithium battery which can be charged via USB cable
- Light color: Warm White
- Housing made of plastic, luminaire neck made of silicone rubber
- Battery discharge time: up to 4 h



TECHNICAL DATA

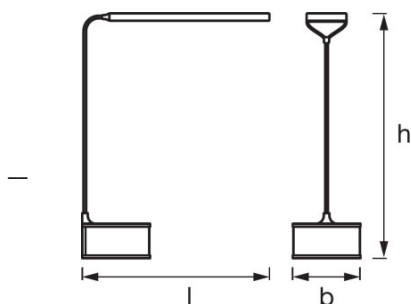
Electrical data

Nominal wattage	7.00 W
Operating mode	Battery
Nominal voltage	5.00 V

Photometrical data

Color temperature	3000 K
Color rendering index Ra	≥80
Light color (designation)	Warm White
Luminous flux	160 lm
Luminous efficacy	23 lm/W
Luminous efficacy of lamp in luminaire	23 lm/W

Dimensions & weight



Length	290.0 mm
Width	105.0 mm
Height	380.0 mm
Product weight	605.00 g

Colors & materials

Body material	Acrylonitrile butadiene styrene (ABS)
Housing color	White
Product color	White
Cover material	Plastic

Temperatures & operating conditions

Ambient temperature range	0...40 °C
---------------------------	-----------

Lifespan

Lifespan	30000 h
-----------------	---------

Capabilities

Dimmable	Yes
-----------------	-----

Certificates & standards

Protection class	III
Type of protection	IP20
Standards	CE/EAC/REACH/RoHS

EQUIPMENT / ACCESSORIES

- USB cable, length: 1 m

LOGISTICAL DATA

Product code	Product description	Packaging unit (Pieces/Unit)	Dimensions (length x width x height)	Volume	Gross weight
4058075125469	PANAN Speaker White	Shipping carton box 4	364 mm x 364 mm x 381 mm	50.48 dm ³	3527.00 g

- The mentioned product code describes the smallest quantity unit which can be ordered. One shipping unit can contain one or more single products. When placing an order, for the quantity please enter single or multiples of a shipping unit.

DISCLAIMER

Subject to change without notice. Errors and omission excepted. Always make sure to use the most recent release.