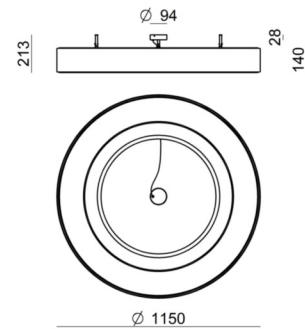




Ceiling Lights | 220-240 V | topLED 98 W 1550 mA | DALI | CRI 90  
**7651N**



Technical data	
Installation position	Ceiling
Installation environment	Indoor
Light Source	LED
Optics	General Lighting
Light emission direction	downward and upward
Power	98 W
Luminous flux (source)	14566 lm
Frequency	60 - 50 Hz
CCT / Tonalità	4000 K
Colour rendering index	90 Ra
Safety class	1
IP	IP40
Glow wire test	650°
Direct mounting on normally flammable surfaces	Yes
CE	Yes
ETL	No
Driver included	Yes
Dimmable article	DALI
Induzione	No
Emergency mode	No
Motion sensor	No
Directional	No
Tilting	No
Walk-over	No
Drive-over	No
Cable included	No
Resin potting	No
Net weight	18 Kg

### Finishing casing

Material	Iron
Colour	embossed white RAL 9003
Processing	Coating

### Finishing diffuser

Material	PE
Colour	neutral

### Finishing mounting frame

Material	Iron
Colour	embossed white RAL 9003
Processing	Coating



Ceiling Lights | 220-240 V | topLED 98 W 1550 mA | DALI | CRI 90  
**7651N**

Double emission ceiling lights for indoor application. The warm white LED light source with a general lighting light distribution is composed of 126 topLEDs with CCT of 4000 K and a CRI 90; the source luminous flux is 14566 lm, with a 148.6 lm/W nominal luminous efficacy and an operating lifetime (L80) of 80000 hours.

The device body is made of iron and features a embossed white ral 9003 finish, processed by means of coating; the diffuser is made of pe; the mounting frame is made of iron, with a embossed white ral 9003 finish, processed by means of coating. The ingress protection degree is IP40; the total weight is of 18 kg. The power supply driver is included in the delivery.

The total absorbed power is 98 W.

The device features protection class I and can be ceiling-mounted.

Illuminotechnical Features	
Luminous flux (source)	14566 lm
Colour temperature	4000 K
Standard Deviation of Colour Matching	3 Step MacAdam
Colour rendering index	90 Ra
Life / Failure ratio	L80C0B20 80H