

1

2

3

4

5

6

7

8

RevNo	Revision note	Date	Signature	Checked
-------	---------------	------	-----------	---------

A

A



B

B

C

C

D

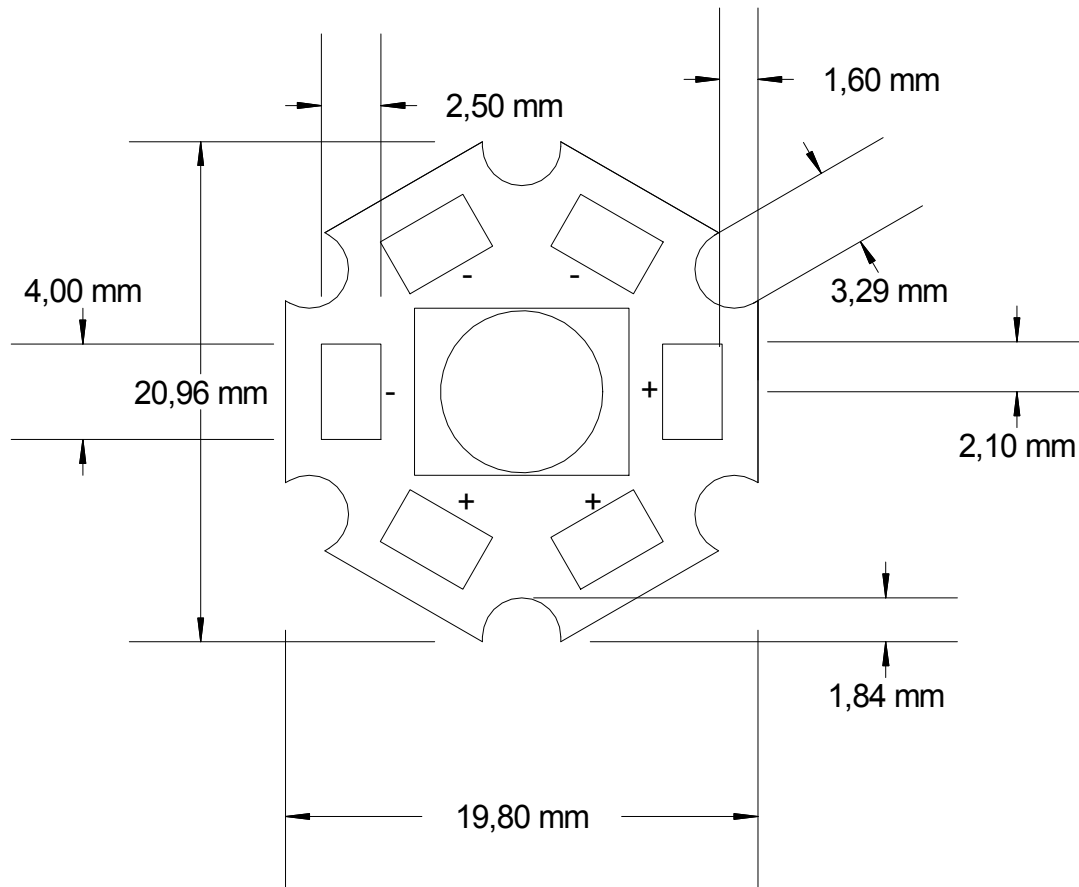
D

E

E

F

F



Itemref	Quantity	Title/Name, designation, material, dimension etc			Article No./Reference
Designed by TIH	Checked by TS	Approved by - date PS - 11.03.2013	Filename Star_CREE_XRE	Date 11.03.2013	Scale 1:1
LUMITRONIX			60013		
			1	Edition 0	Sheet 1/1

1

2

3

6

7

8