

1

2

3

4

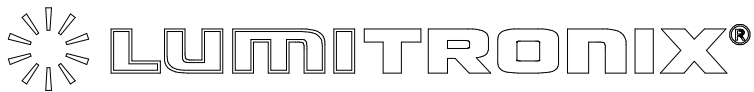
5

6

7

8

RevNo	Revision note	Date	Signature	Checked
-------	---------------	------	-----------	---------



A

A

B

B

C

C

D

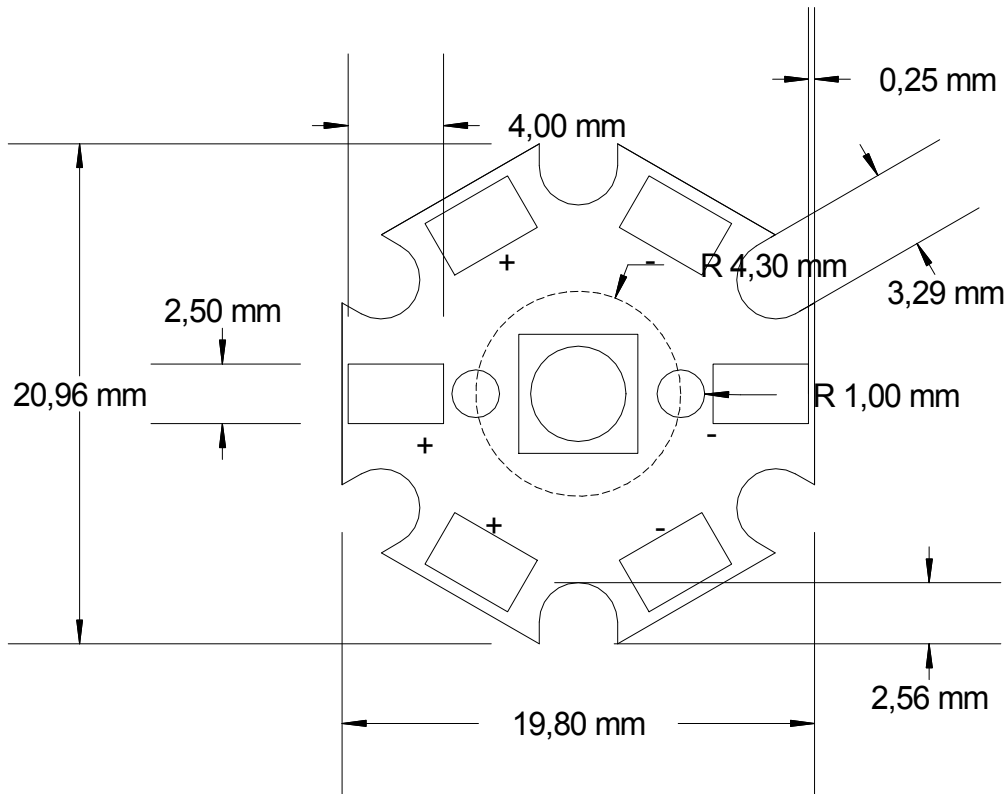
D

E

E

F

F



Itemref	Quantity	Title/Name, designation, material, dimension etc			Article No./Reference
Designed by TIH	Checked by TS	Approved by - date PS - 11.03.2013	Filename Star_CREE_XML	Date 11.03.2013	Scale 1:1
LUMITRONIX			60052		
			1	Edition 0	Sheet 1/1

1

2

3

6

7

8