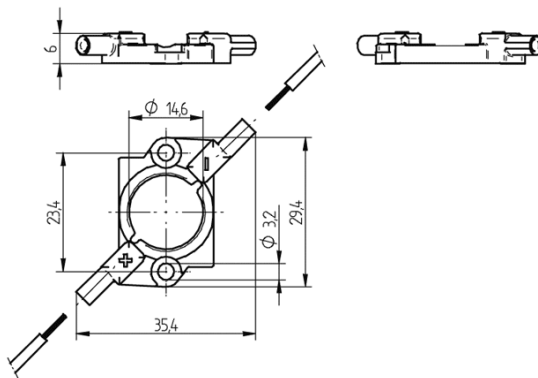


# Connector for COBs

## 47.316.3001.50



20 AWG



20 AWG

# Connector for COBs

## 47.316.3001.50



### DESCRIPTION

Screw mounting: for screws M3 and locking washer  
Max. torque for screw fixing 0.5 Nm\*  
Strip length: 6+1 mm  
Polarity of LED must be observed  
Specifications of LED manufacturer must be observed  
VDE-Reg. No. D971  
\*Please note the max torque of the COB manufacturer

Product name:	Connector for COBs
Mounting method 1:	Screw mount
Prefixation of COB:	No
Material:	Housing: PBT Contacts: CuSn
LED manufacturer:	LUMILEDS, Nichia
LED Typ:	COB 1202/1203, NSBWL110/NSBLL110, NFCWL072B-V2
Conductor cross-section:	0.75 mm <sup>2</sup>
Approval:	cURus
cULus file no.:	E-345385
Suitable for:	NSBWL110, NSBLL110 and NFCWL072B-V2 from Nichia and LUXEON CoB 1202/1203 from Lumileds
Rating:	Rating: 3A / 300 VDC
Weight:	2
Pkg.:	280

### Suitable for the following LED models:

LED Manufacturer	LED Type	More Information
LUMILEDS	COB 1202/1203	<a href="http://www.philipslumileds.com">http://www.philipslumileds.com</a>
Nichia	NSBWL110/NSBLL110	<a href="http://www.nichia.co.jp">http://www.nichia.co.jp</a>
Nichia	NFCWL072B-V2	<a href="http://www.nichia.co.jp">http://www.nichia.co.jp</a>