

Features

- Compliance to Lighting and LED Equipment Regulations
- IP20 for Indoor Installation
- MM Marking for Furniture Installation
- Suitable for LED Lighting Applications
- 1 Year Warranty



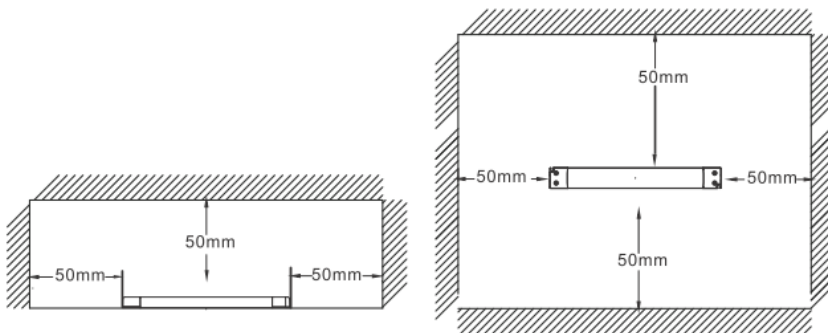
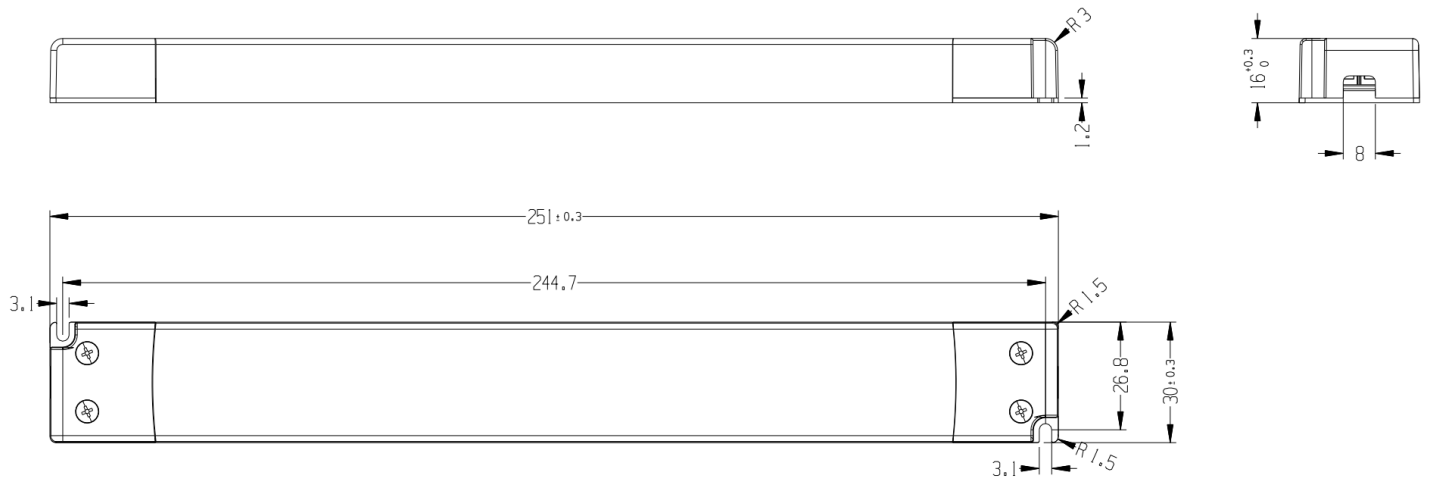
Marks / Approvals



Specifications

Image similar, variations possible

MODEL No.	PART No.	Voltage	Min. Load	Max. Load	Max. Power	Ripple & Noise
LED 12V30W-MM-EU-slim	SNP30-12VF-2	12 V	0.00 A	2.5 A	30 W	180 mV p-p
LED 24V30W-MM-EU-slim	SNP30-24VF-2	24 V	0.00 A	1.25 A	30 W	250 mV p-p
INPUT	Voltage	AC 200 V – 240 V				
	Frequency	50 Hz - 60 Hz				
	Current (rms max)	< 0.22 A				
	Power Factor	≥ 0.9				
PROTECTION	Overload	Yes, Auto Recovery				
	Overvoltage	Yes, Latch Off				
	Short Circuit	Yes, Auto Recovery				
	Over Temperature	Yes, temperature exceeding max. value at detection point				
	Input Surge Current	< 60 A				
OTHERS	Cooling	Convection Cooling				
	Efficiency	85 % typical				
	Startup Time	< 0.5 s				
	Protection Marking	IP20 (IEC 60529)				
	Working Noise	< 30 dB, pickup at 10 cm				
	Protection Class	Class II				
	Case Material	Plastic cover with terminal block H03VVH2-F 2x0.75mm ²				
Environment	Temperature	Operating: -20 °C to 45 °C / Max. Case Temperature: 85 °C				
	Humidity	Operating: 45 % RH to 85 % RH				
Lifetime	30 000 hrs at max. Ta, rated input voltage, output max. rated power					
SAFETY	IEC / EN 61347-1, IEC / EN 61347-2-13					
EMI	EN 55015					
EMS	EN 61547					
Harmonic	EN 61000-3-2 Class C					
Case Dimensions	251 mm × 30 mm × 16 mm					



Mounting Location Dimension