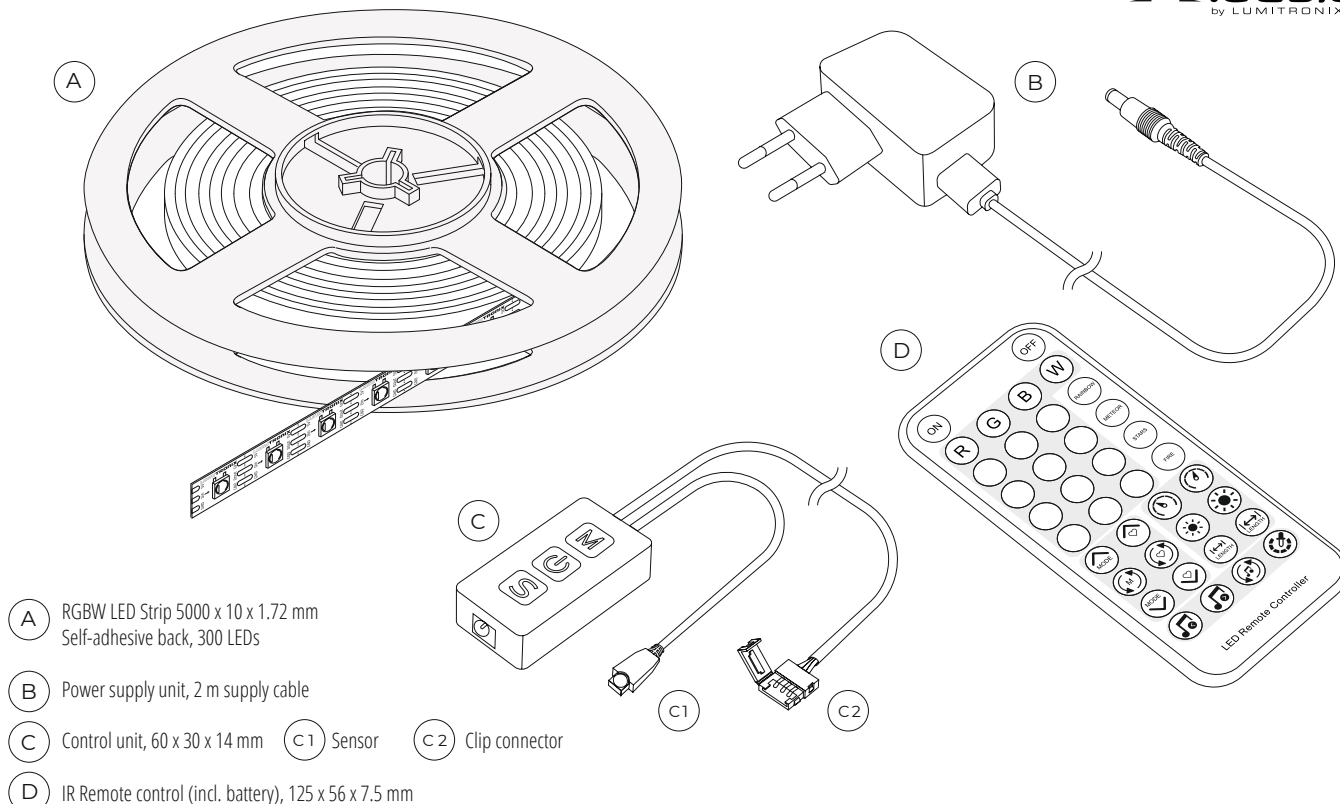
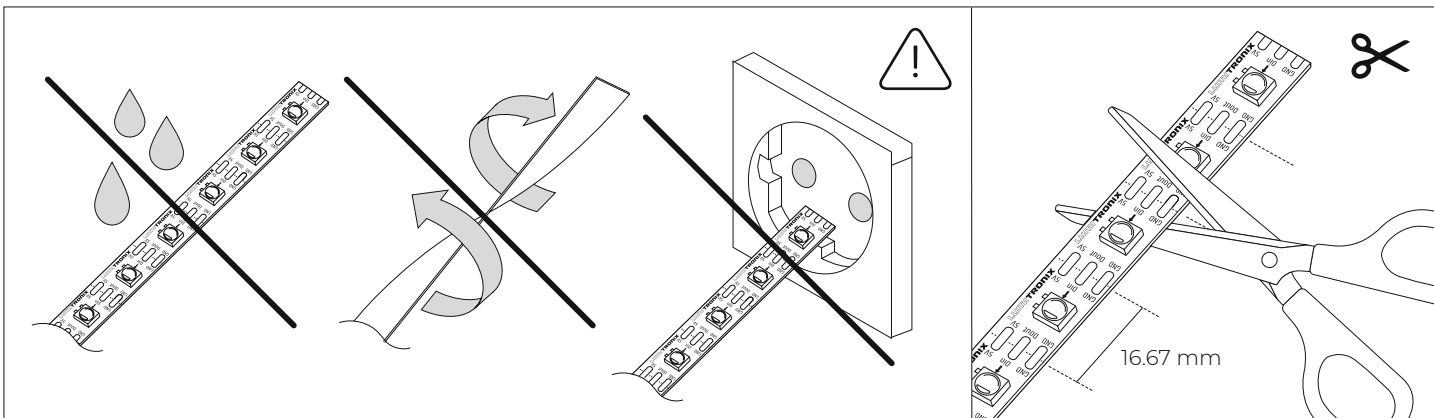


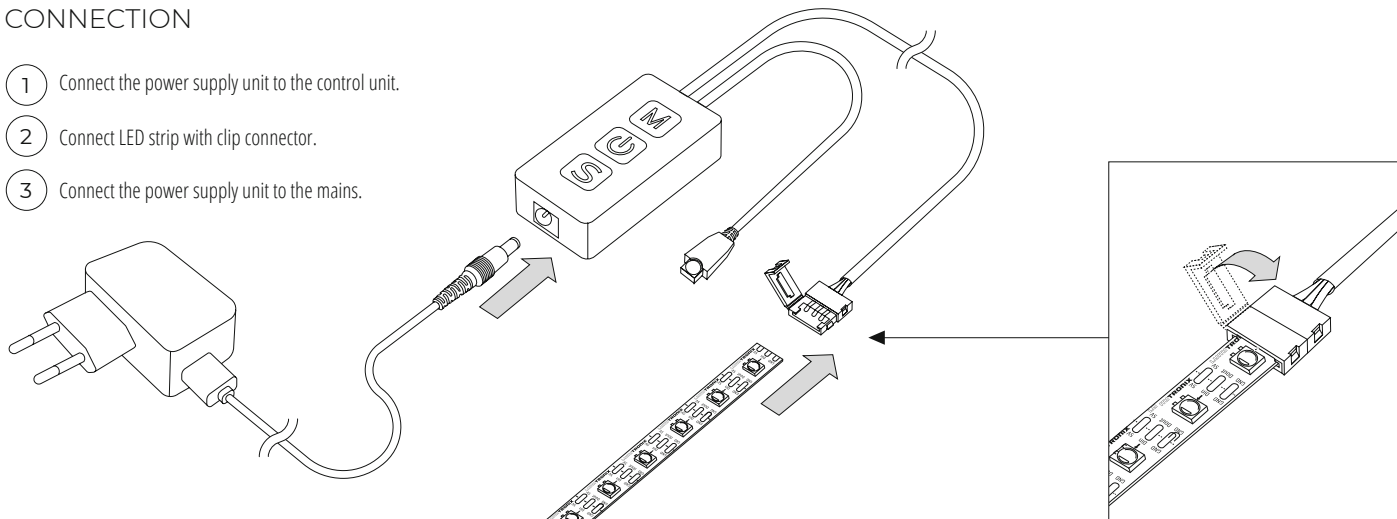
## CONTENTS





## CONNECTION

- 1 Connect the power supply unit to the control unit.
- 2 Connect LED strip with clip connector.
- 3 Connect the power supply unit to the mains.





## SAFETY INSTRUCTIONS

The LED modules and all their components must not be mechanically stressed. Avoid excessive force, e.g. from Screws or excessive bending. The installation of the strip (with control gear) must be carried out in compliance with all applicable electrical and safety standards.

Ensure standard ESD precautions are taken when installing the modules.

- Components on the LED strips must not be subjected to mechanical loads.
- The conductor paths on the circuit boards must not be damaged or interrupted by the assembly.
- Working temperature: -20°- 60°C.

Installation may be carried out by an approved electrician in compliance with all applicable regulations and standards.

**LUMITRONIX® LED-Technik GmbH**  
**Haigerlocher Str. 42, 72379 Hechingen**



E-Mail: [mail@leds.de](mailto:mail@leds.de), Zentrale +49 (0) 7471 / 96014-0 , Fax +49 (0) 7471 / 96014-99  
Forum: [www.ledhilfe.de](http://www.ledhilfe.de), LED-Shop: [www.leds.de](http://www.leds.de)

VAT No. DE 814318271, Stuttgart Local Court, HRB 421019 12.04.05

The distribution and reproduction of this document, and the use and communication of its contents, are prohibited unless expressly authorised. Any infringement shall result in liability for damages.

All rights reserved in the event of patent, utility model or design registration.

Subject to technical changes.